



TRT50(-420)

Temperature transmitter

TRT50(-420) is a range of high quality temperature transmitters for wall mounting

The transmitters are constructed around a temperature element providing a signal proportional to the temperature. The built-in electronics convert the measurement signal to an output signal 0...10 V DC or 4...20 mA.

Supply voltage

The transmitters can be powered either with 24 V AC or 15...35 V DC (0...10 V models), or 20...35 V DC (4...20 mA models). The transmitters will automatically adapt to the supply voltage.

Short facts about TRT50

- Excellent long-term stability
- Wide measurement range
- Accuracy +/- 0.5°C at 20°C
- Output signal 0...10 V DC or 4...20 mA
- Low power consumption (< 1 W)
- Supply voltage 24 V AC or 15...35 V DC
- Protection class IP65

Models

Model	Supply voltage	Unit range	Output signal	Measurement method	Mounting
TRT50	24 V AC \pm 20 % or 15...35 V DC	-20...100°C	0...10 V DC	3-wire	Wall mounting
TRT50-420	20...35 V DC	-20...100°C	4...20 mA	2-wire	Wall mounting

NOTE: A membrane in sintred brass is available as an accessory for TRT for use in heavily polluted environments.

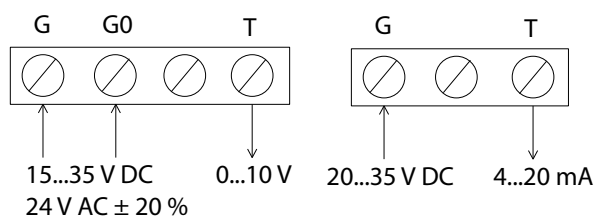
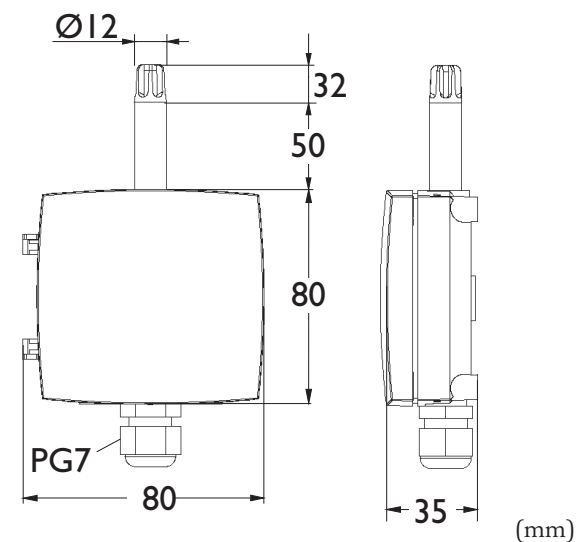
Technical data

Supply voltage	24 V AC \pm 20 % or 15...35 V DC (0...10 V output signal), alt. 20...35 V DC (4...20 mA)
Output signal	
TRT50	0...10 V DC proportional to measuring range 0...+50°C
TRT50-420	4...20 mA
Load impedance	
TRT50	Min. 10 k Ω
TRT50-420	Max. 500 Ω
Ambient temperature	-5...+50°C
Storage temperature	-20...+70°C
Measurement accuracy	\pm 0.5°C at 20°C
Cable connection	Terminal blocks, max. 1.5 mm
Sensor type	KF6645 class DIN B, IEC 751
Protection class	IP65
Weight	0.25 kg
Colour	Cover: Signal white RAL 9003 Bottom plate: Grey RAL7035



This product carries the CE mark.
For more information, see www.regincontrols.com.

Dimensions and wiring



Head office Sweden

Phone: +46 31 720 02 00

Web: www.regincontrols.com

Mail: info@regin.se