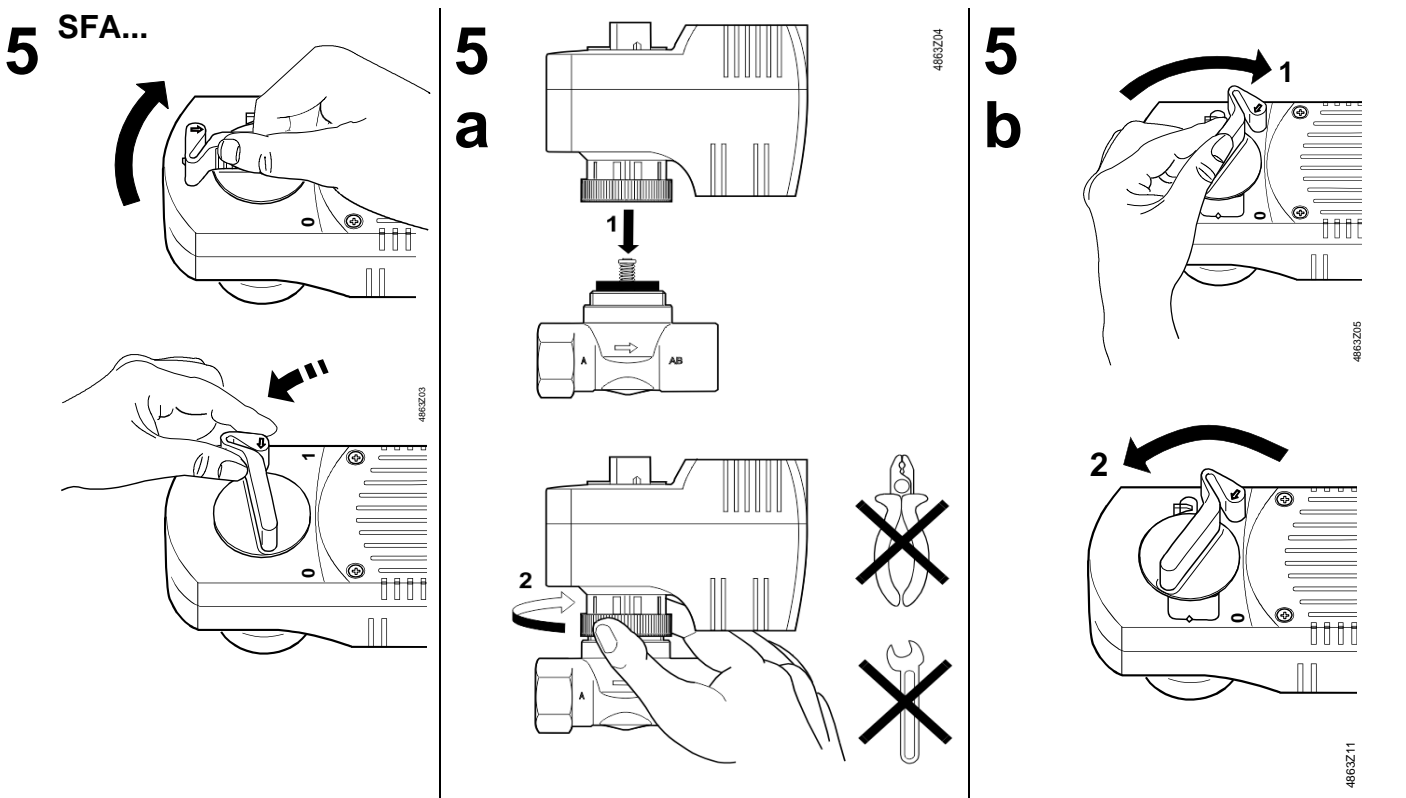
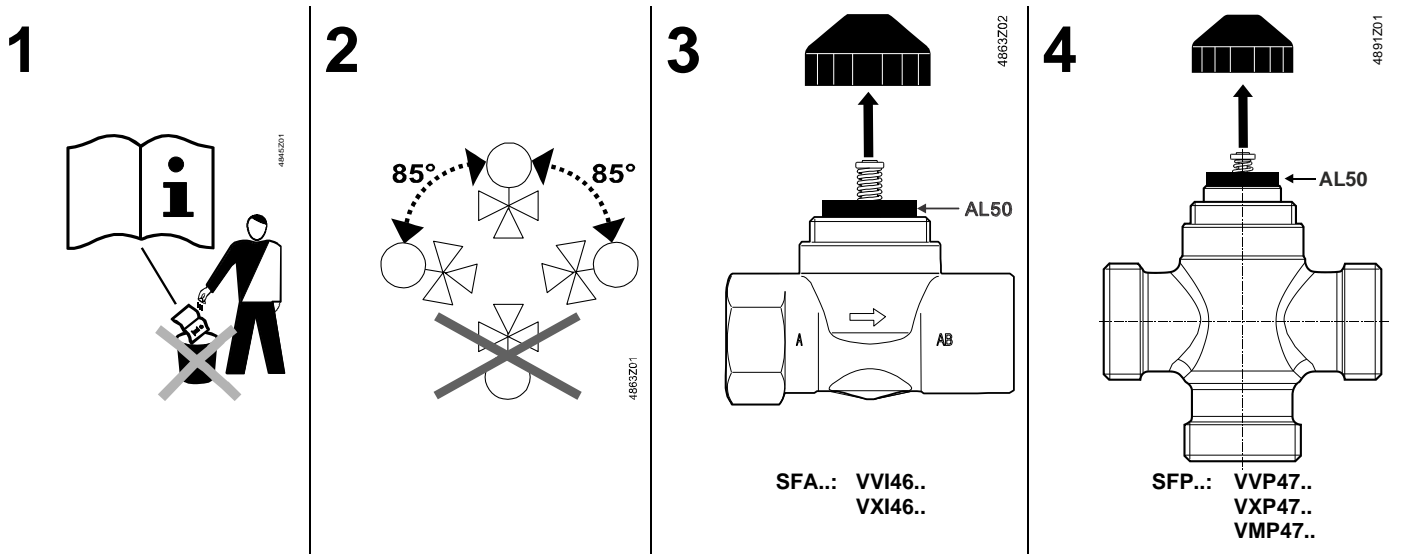


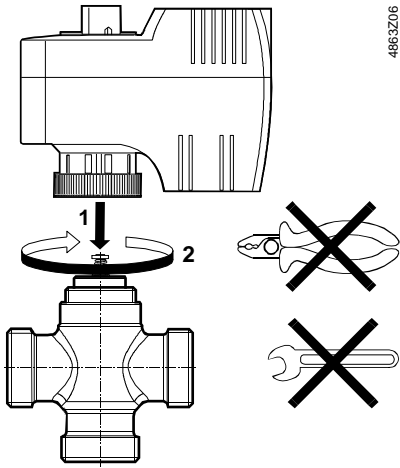
de Montageanleitung
en Mounting instructions
fr Instructions de montage
sv Monteringsinstruktion
nl Montage-handleiding
it Istruzioni di montaggio
fi Asennusohje
es Instrucciones de montaje
da Monteringsvejledning
pl Instrukcja montażu
cz Montážní návod
hu Szerelési útmutató
tr Montaj talimatları
el Οδηγίες εγκατάστασης
zh 安装指导

Stellantriebe
Actuators
Servomoteur
Ställdon
Servomotoren
Servocomandi
Toimimoottorit
Actuadores
Motorer
Silowniki
Pohony
Motorok
Aktüatörler
Κινητήρες
执行器

SFA21/18
SFA71/18
SFA11U
SFP21/18
SFP71/18



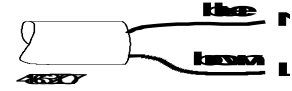
6 SFP...



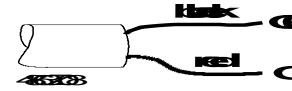
4863Z06

7

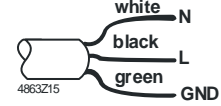
SFA21/18
SFP21/18
AC 230 V



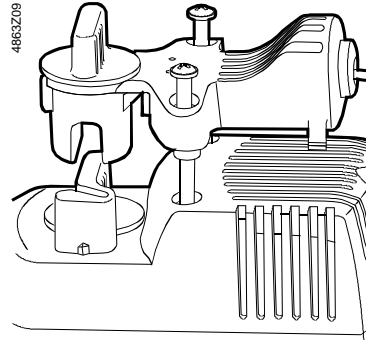
SFA71/18
SFP71/18
AC 24 V



SFA11U
AC 120 V



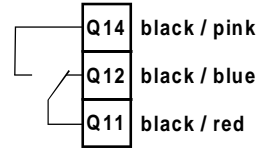
ASC2.1/18



4863Z09

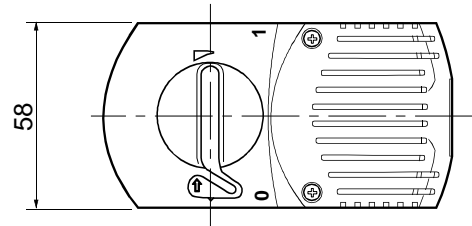
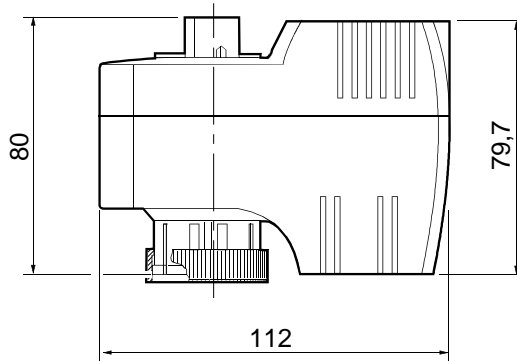
4863Z09

max. AC 250 V
max. 3 (2) A



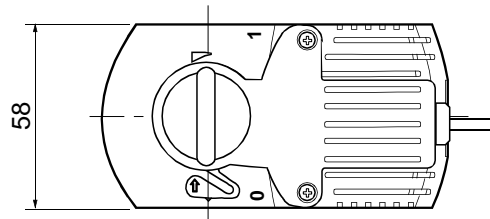
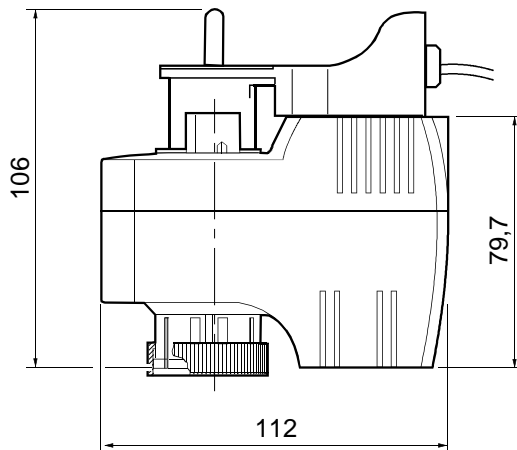
0 ... 50 % : Q11 → Q12
50 % ... 1 : Q11 → Q14

SFA.. SFP..



4863M01

SFA.. + ASC2.1/18 SFP.. + ASC2.1/18



4863M02

Issued by
Siemens Switzerland Ltd
Smart Infrastructure
Global Headquarters
Theilerstrasse 1a
6300 Zug
Switzerland
Tel. +41 58 724 24 24

www.siemens.com/buildingtechnologies

© 2008, Siemens Switzerland Ltd
Delivery and technical specifications subject to change